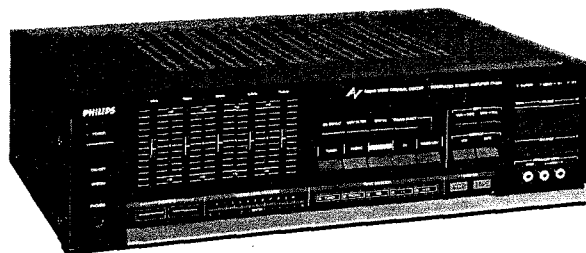


Service
Service
Service



Service Manual

Table of contents	page
Specifications	2
Connections and controls	3
Schematic diagrams	4, 5, 6, 11, 12, 13, 14
Wiring diagrams	7, 8, 15, 16, 17, 18
Adjustment, standard symbol list	9
Semi conductor lay-out	10
Electrical partslist	19, 20
Exploded view	21

(GB)

Safety regulations require that the set be restored to its original condition and that parts which are identical with those specified be used.

(NL)

Veiligheidsbepalingen vereisen, dat het apparaat in zijn oorspronkelijke toestand wordt teruggebracht en dat onderdelen, identiek aan de gespecificeerde worden toegepast.

(F)

Les normes de sécurité exigent que l'appareil soit remis à l'état d'origine et que soient utilisées les pièces de rechange identiques à celles spécifiées.

(D)

Bei jeder Reparatur sind die geltenden Sicherheitsvorschriften zu beachten. Der Originalzustand des Geräts darf nicht verändert werden für Reparaturen sind Original-Ersatzteile zu verwenden.

(I)

Le norme di sicurezza esigono che l'apparecchio venga rimesso nelle condizioni originali e che siano utilizzati pezzi di ricambio identici a quelli specificati.



SPECIFICATION

General

	Nominal value	Typical value
Mains voltage	: 220V ~ (/00R) : 240V ~ (/05R)	: 220V ~ (/00R) : 240V ~ (/05R)
Mains frequency	: 50 - 60 Hz	: 50 - 60 Hz
Power consumption	: 270W max	: 270W max
Dimensions (WxHxD)	: 420 x 118 x 260 mm	: 420 x 118 x 260 mm
Weight	: 7.8 kg	: 7.8 kg

Amplifier

Output power	: 65W in 8Ω (IEC)	: 65W in 8Ω (IEC)
Distortion		
T.H.D.	: ≤ 0.3% at 1 kHz : ≤ 0.3% at 63 Hz-12.5 kHz } (IEC) : ≤ 0.3% at 60/7000 Hz 4:1 }	: ≤ 0.01% at 1 kHz : ≤ 0.3% at 65 Hz-12.5 kHz } (IEC) : ≤ 0.3% at 60/7000 Hz 4:1 }
Intermodulation		

Frequency characteristic

Phono input } tone control	: From 20 Hz - 20 kHz ±1.5 dB (IEC)	: from 30 Hz - 20 kHz ±0.5 dB (IEC)
Other inputs } neutral	: from 20 Hz - 20 kHz ±2 dB	: from 20 Hz - 20 kHz ±1 dB
Frequency equalizer control	: at 50 Hz +10 dB to -10 dB ±2 dB : at 200 Hz +10 dB to -10 dB ±2 dB : at 800 Hz +10 dB to -10 dB ±2 dB : at 3.2 kHz +10 dB to -10 dB ±2 dB : at 12.8 kHz +10 dB to -10 dB ±2 dB : at 50 Hz -3 dB ±1.5 dB	: at 50 Hz +10 dB to -10 dB : at 200 Hz +10 dB to -10 dB : at 800 Hz +10 dB to -10 dB : at 3.2 kHz +10 dB to -10 dB : at 12.8 kHz +10 dB to -10 dB : at 50 Hz -3 dB

Low filter

Signal/noise ratio weighted (A-curve)

Phono input	: for 65W output ≥ 77 dB (IEC)	: for 65W output ≥ 77 dB (IEC)
Other inputs	: for 65W output ≥ 93 dB (IEC)	: for 65W output ≥ 95 dB (IEC)
Channel separation	: at 1000 Hz ≥ 45 dB : at 250 Hz - 10 kHz ≥ 35 dB	: at 1000 Hz ≥ 45 dB : at 250 Hz - 10 kHz ≥ 35 dB

Input sensitivity

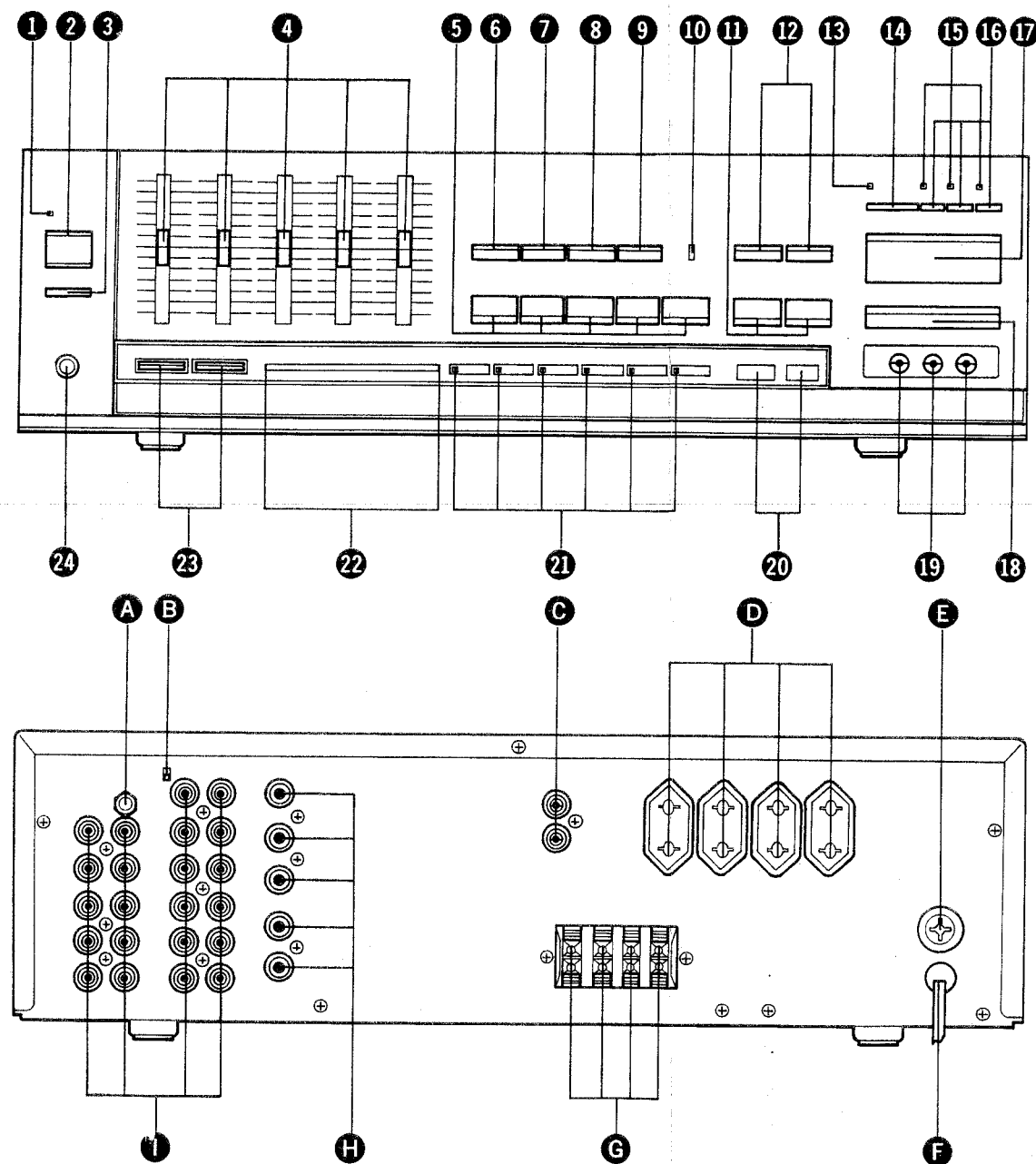
Audio		
Phono	: 2.5 mV at 47 kΩ	: 2.5 mV at 47 kΩ
Tuner/CD/Tape	: 150 mV at 25 kΩ	: 150 mV at 25 kΩ
Sound pro.	: 150 mV at 90 kΩ	: 150 mV at 90 kΩ
Other audio inputs	: 150 mV at 25 kΩ	: 150 mV at 25 kΩ
Other video inputs	: 150 mV at 25 kΩ	: 150 mV at 25 kΩ

Video

TV	: 1.0 Vp-p at 75Ω	: 1.0 Vp-p at 75Ω
Video	: 1.0 Vp-p at 75Ω	: 1.0 Vp-p at 75Ω
VCR	: 1.0 Vp-p at 75Ω	: 1.0 Vp-p at 75Ω

Outputs

Tape (Audio)	: 400 mV at 1 kΩ (Phono 7.75 mV 1 kHz input)	: 400 mV at 1 kΩ (Phono 7.75 mV 1 kHz input)
VCR/Video (Video)	: 1.0 Vp-p at 75Ω	: 1.0 Vp-p at 75Ω

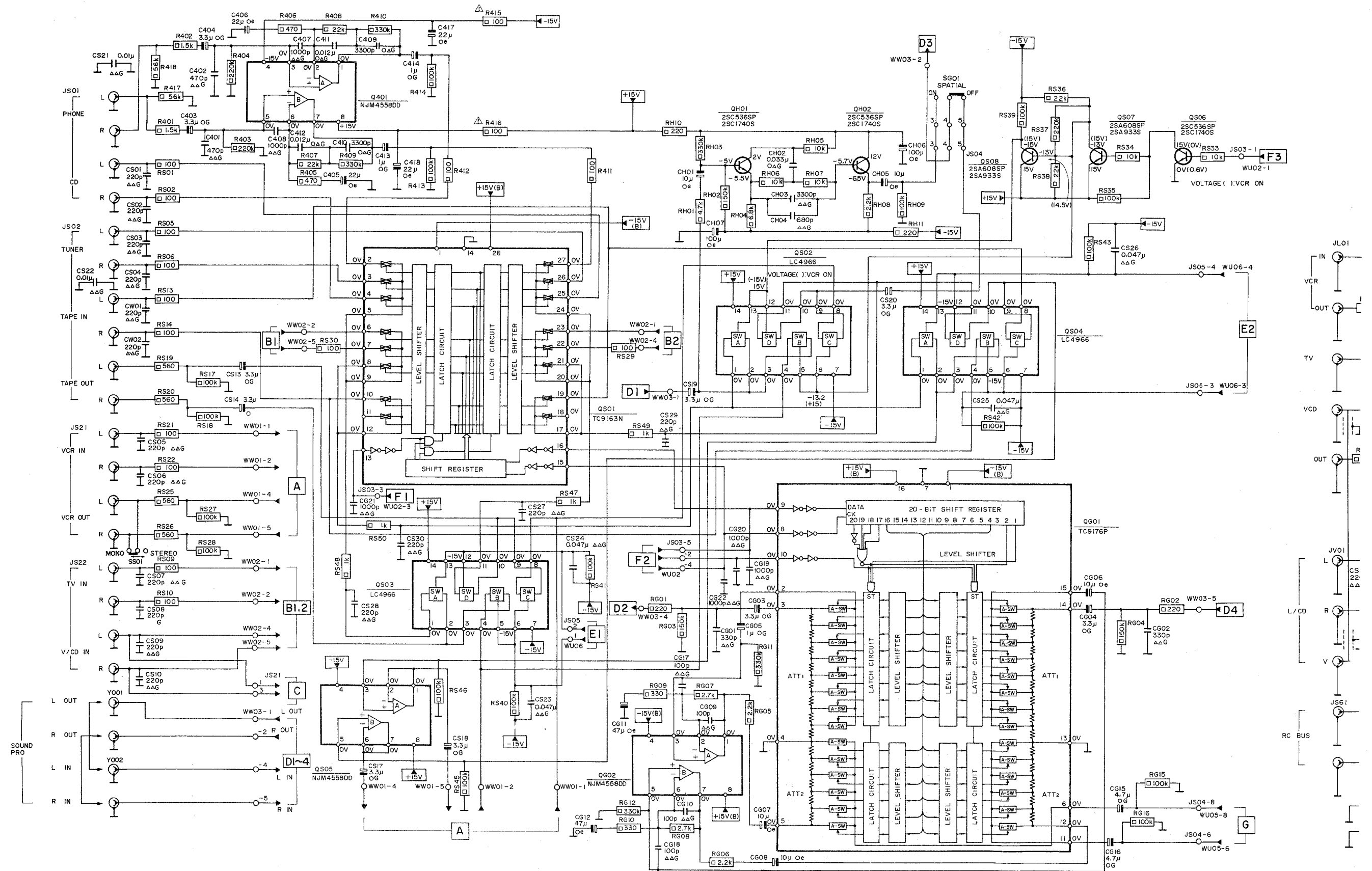


CONNECTIONS AND CONTROLS

1	Mains indicator	DT05	18	Balance switch	SU09, SU10
2	Mains switch	S001	19	Video/CDV input	JV01
3	System on/off switch	SU15	20	Monitor indicator	VU01, VU02
4	Equalizer control	RE10~RE14	21	Input indicator	DU10~DU14
5	Function switch	SU01~SU05	22	Volume level/balance indicator	DU23~DU33
6	EQ defeat switch	SG02	23	LS switch	SS51
7	Low filter switch	SG03	24	Headphone socket	JS51
8	Spatial switch	SG01			
9	Sound inject switch	SU17	A	Ground terminal	J031
10	Sound inject indicator	DU15	B	Mode switch	SS01
11	Monitor switch	SU06, SU16	C	Remote control bus	JS61
12	Copy switch	SU18, SU19	D	AC outlet	J021~J024
13	Muting indicator	DU37	E	Fuse holder	J001
14	Muting switch	SU14	F	Mains cord	W001
15	Memory indicator	DU34	G	LS output	J701
16	Memory switch	SU11~SU13	H	Video input/output	JL01
17	Volume switch	SU07, SU08	I	Audio input/output	JS01, JS02, JS21~JS23

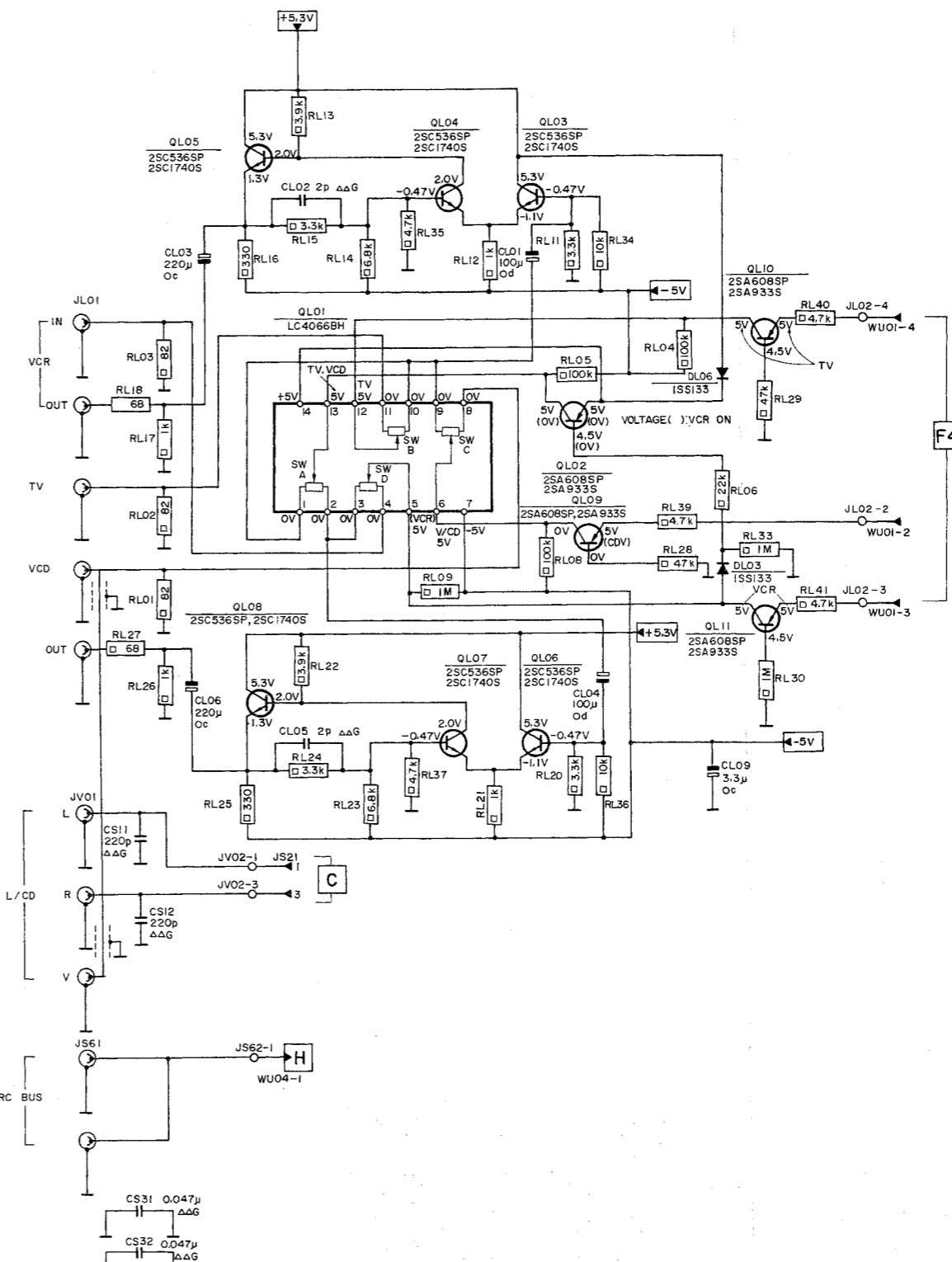
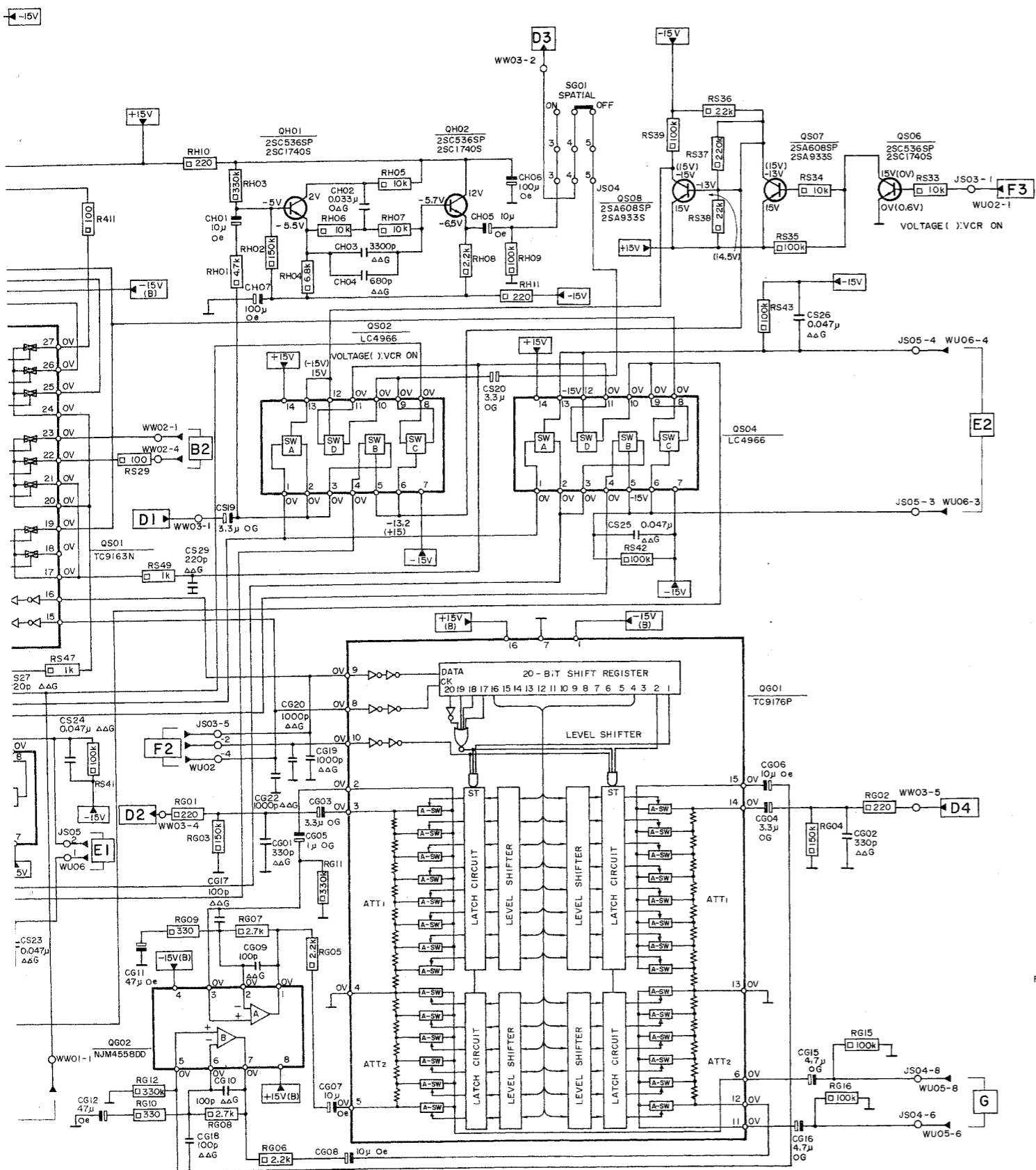
SCHEMATIC DIAGRAM

R	R417 R418 R401 ~ R404	R405 ~ R410	R413 R414 R412 R415 R416	R411	RH10 RH01 RH03 RH02 RH04 RH05 ~ RH07	RH08 RH09 RH11	RS42 RS39 RS36 RS37 RS38 RS43 RS35 RS34	RS33
C	CS21 CS22 C401 ~ C404 C406	C405 C407 ~ C414 C417 C418	CG17 ~ CG20 CS19 CH01 CH07	CH02 ~ CH04	CS20 CH05 CH06	CS25	RG15 RG04 RG16 RG02	CS11 C
Q - D	CS01 ~ CS10 CW01 CW02 CS13 CS14	CG21 CS17 CS27 ~ CS30 CS18	CS23 CS24 CS29 CG12 CG11 CG22 CG10 CG09 CG01	CG05 CG03 CG15 CG07 CG08	CG06 CG15 CG04 CG16 CG02	CG06 CG15 CG04 CG16 CG02	CG06 CG15 CG04 CG16 CG02	CS31 C
S	SS01	Q401	QS05	QS01 QS03	QG02 QH01 QS02 QH02 QG01	Q804 QS08	QS07	QS06



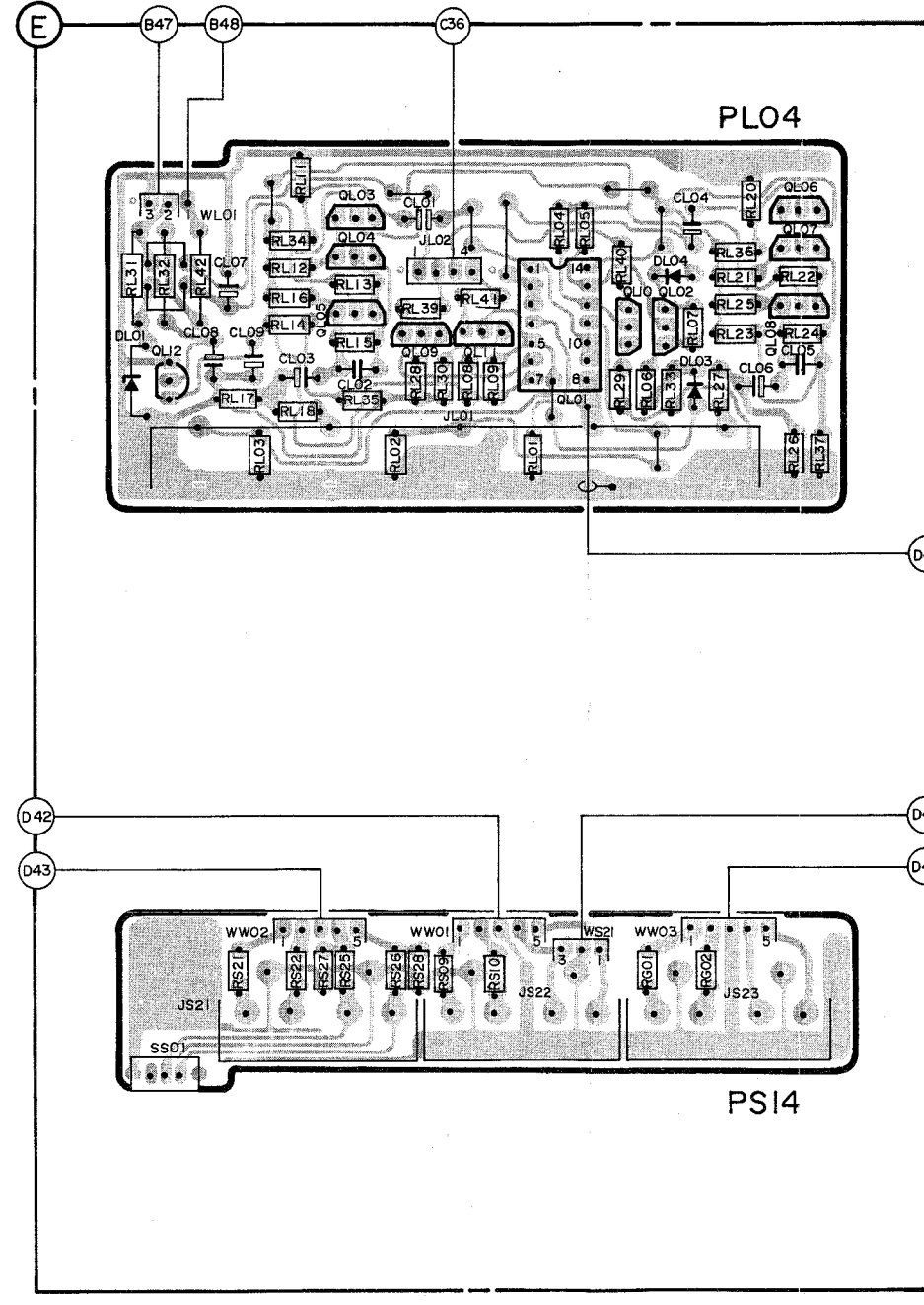
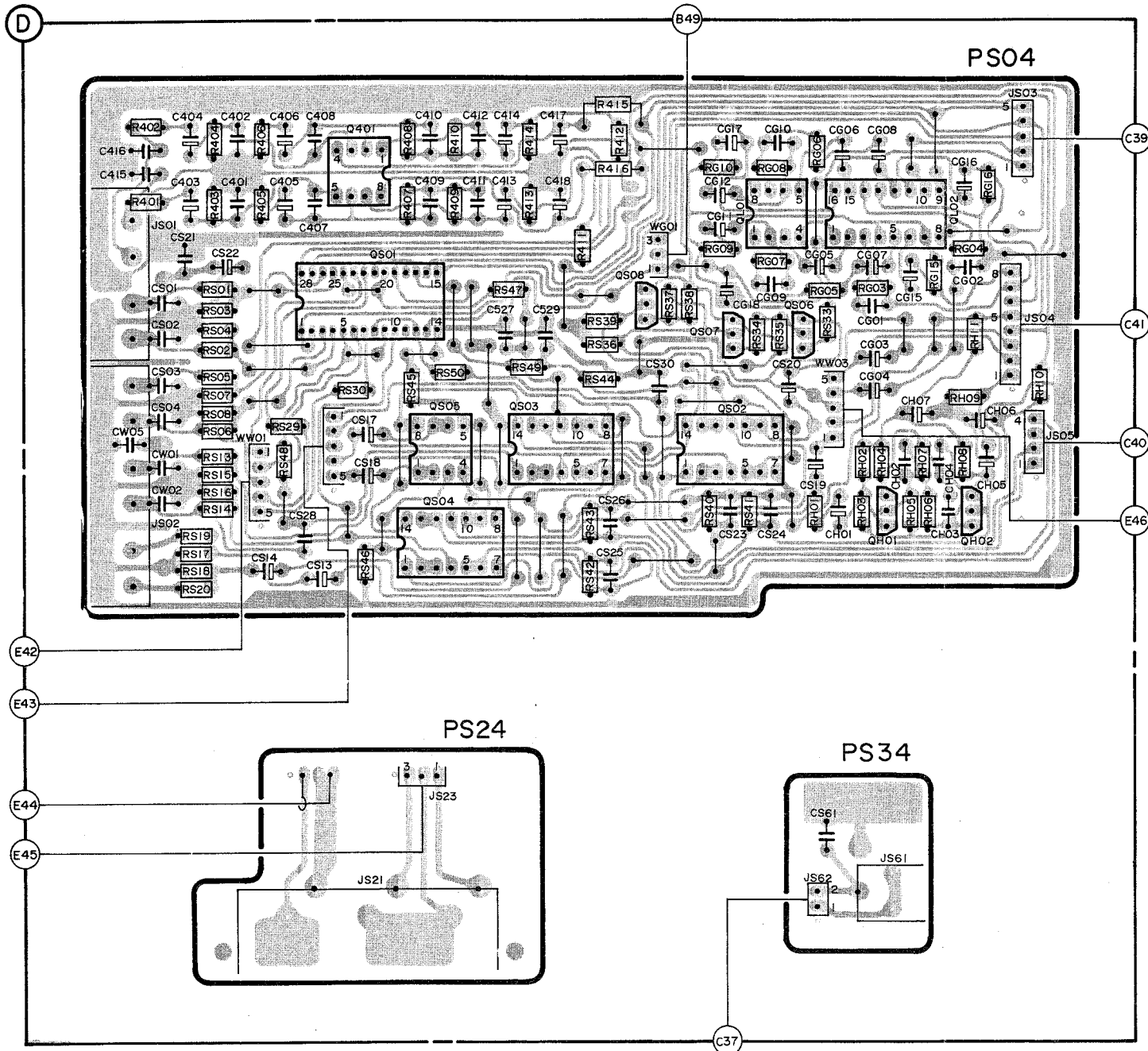
SCHEMATIC DIAGRAM

6	R411	RH10	RHO1	RHO3	RHO2	RHO4	RHO5 ~ RHO7	RHO8	RHO9	RH11	RS42	RS39	RS36	RS37	RS38	RS43	RS35	RS34	RS33	RL17	RL18	RL27	RL01 ~ RL03	RL26	RL13 ~ RL16	RL35	RL12	RL11	RL34	RL33	RL30	RL41	RL40	R	
10	RS41	RS49	RS29	RG01	RG03	RG05 ~ RG12	CG17 ~ CG20	CS19	CHO1	CHO7	CHO2 ~ CHO4	CS20	CHO5	CHO6	CS25	CS26	CS11	CS12	CLO3	CLO2	RL25	RL09	RL22	RL24	RL23	RL37	RL08	RL21	RL20	RL36	RL39	RL28	RL04 ~ RL06	RL29	C
	CS23	CS24	CS29	CG12	CG11	CG22	CG10	CG09	CG01	CG05	CG03	CG15	CG07	CG08	CG06	CG15	CG04	CG16	CG02	CS31	CS32	CLO6	CLO5	CLO1	CLO4	CLO9	DLO3	DLO6	QL10	QL11	Q - D				
	QS03	QS02	QH01	QS02	QH02	QG01	QS04	QS08	QS07	QS06	QL05	QL08	QL01	QL04	QL07	QL06	QL03	QL02	QL09	DLO3	DLO6	QL10	QL11												S



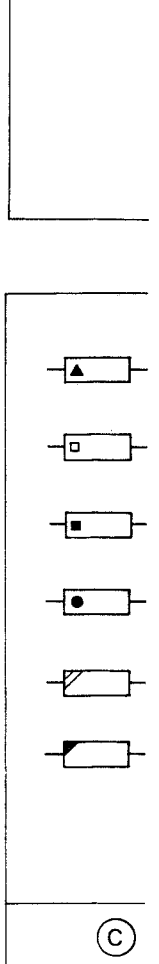
WIRING DIAGRAM

R	R401~R416	RS45 RS50 RS47 RS49	RS44 RS33~RS39	RG03~RG10	RG15 RG16	RL31 RL32 RL42 RL11~RL18 RL34	RL39 RL41 RLO8 RLO9 RLO4 RLO5 RL40 RL33 RLO7 RL33 RL20~RL27
C	CS21 CS22	C401~C418 CS17 CS18	C527 C529	CS30	CG05~CG12 CG18	CG01~CG04 CG16	CL07~CL09
D-Q	CW05 CS01~CS04 CW01 CW02 CS14 CS13 CS28	CS23~CS26	CG17 CS20	CS19	CH01~CH07 CG15	CL01~CL03	CL04~CL06
S	Q401	QS01~QS05	QS07 QS06	QH01 QH02		DL01 QL12	QL03~QL05 QL09 QL11 QL01 QL10 QL02 DL04 DL03 QL06~QL08
						SS01	



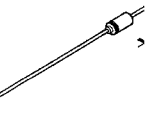
Idling Current

SK...
SWITCH

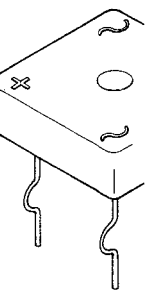


NOTE:
Some withsta
both numeric
If withstand
from that in s

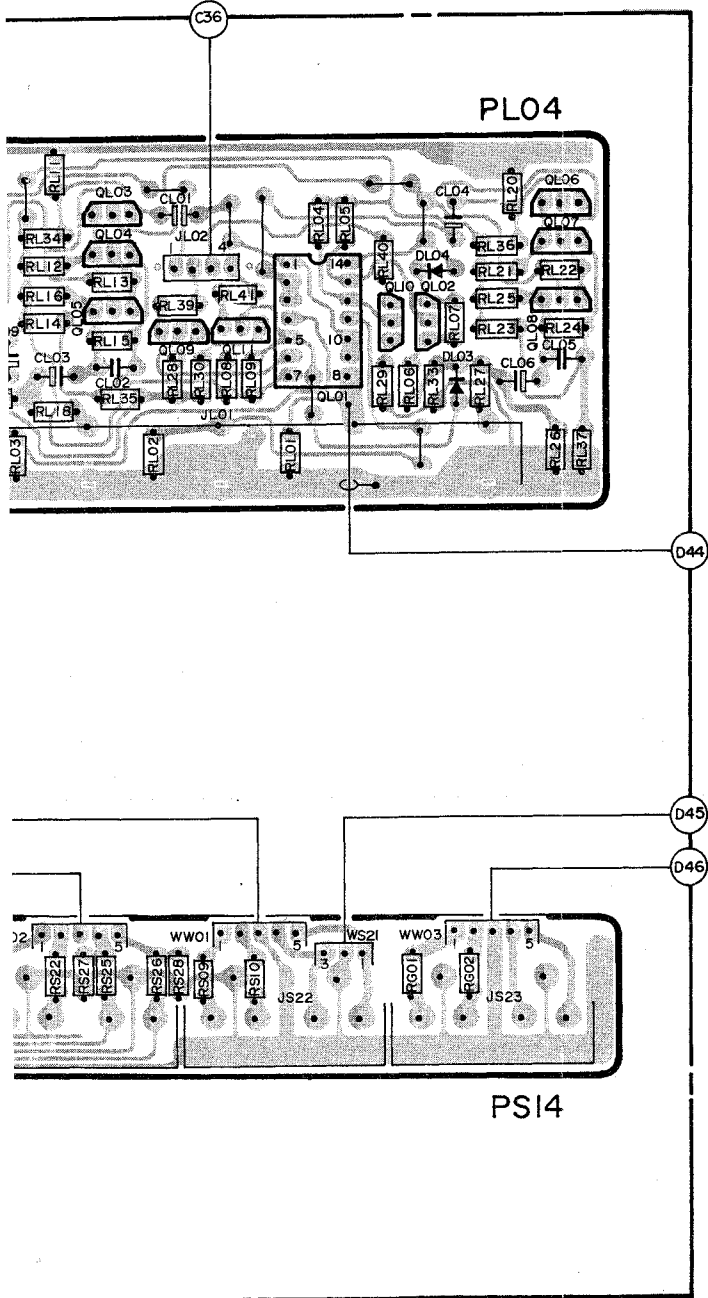
Semiconductor Layo



ISS133
ISS176
MA165



RL1~RL18 RL34 RL39 RL41 RL08 RL09 RL04 RL05 RL40 RL33 RL07 RL33 RL20~RL27
RL03 RL35 RL02 RS25~RS28 RS09 RS10 RL28 RL30 RL01 RL29 RL06 R601 R602 RL37
~CL09
CL01~CL03
CL04~CL06
QL03~QL05 QL09 QL11 QL01 QL10 QL02 DL04 DL03 QL06~QL08



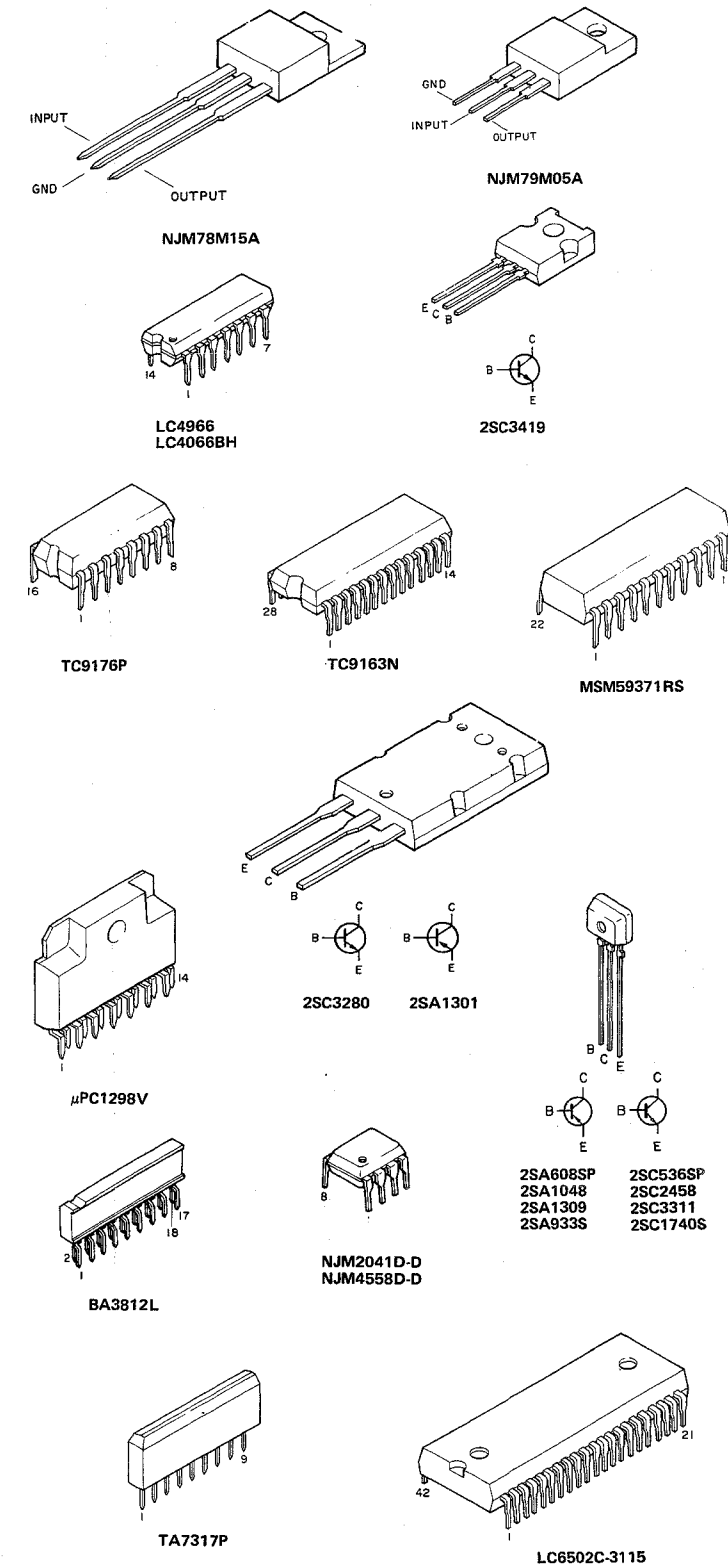
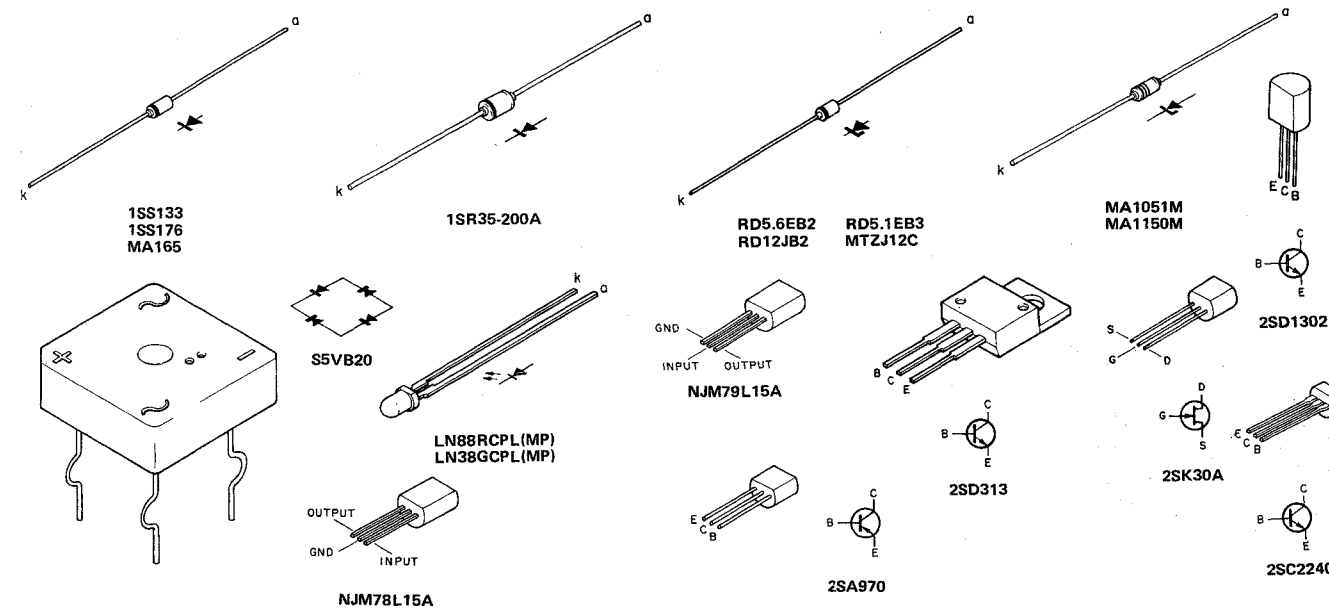
Idling Current

SK...						
SWITCH	SIGNAL	TO	VOLUME	ADJUST	OSCILLOSCOPE	D.C. METER INDICATOR
			Min.	Lch R735		Lch TP1(+), TP3(-) DC4mV (20mA)
				Rch R736		Rch TP2(+), TP4(-) DC4mV (20mA)

	Carbon film 0.125 W or 0.2 W	70°C	5%		Ceramic plate Tuning ≤ 120 pF NP.0	2%	*a = 2.5 V b = 3.15 V or 4 V c = 6.3 V d = 10 V e = 16 V f = 25 V g = 40 V h = 63 V j = 100 V i = 125 V m = 150 V n = 160 V q = 200 V r = 250 V s = 300 V t = 350 V u = 400 V v = 500 V w = 630 V x = 1000 V A = 1.6 V B = 6 V C = 12 V D = 15 V E = 20 V F = 35 V G = 50 V H = 75 V I = 80 V
	Carbon film 0.25 W or 0.33 W	70°C	5%		Polyester flat foil	10%	
	Metal film 0.25 W or 0.33 W	70°C	5%		Metalized polyester flat film	10%	
	Carbon film 0.5 W	70°C	5%		Polyester flat foil small size (Mylar)	10%	
	Carbon film 0.67 W	70°C	5%		Polysterene film/foil	1%	
	Carbon film 1 W or 1.15 W	70°C	5%		Tubular ceramic		
					Miniature single		
					Subminiature tantalum	± 20%	
	Chip component						

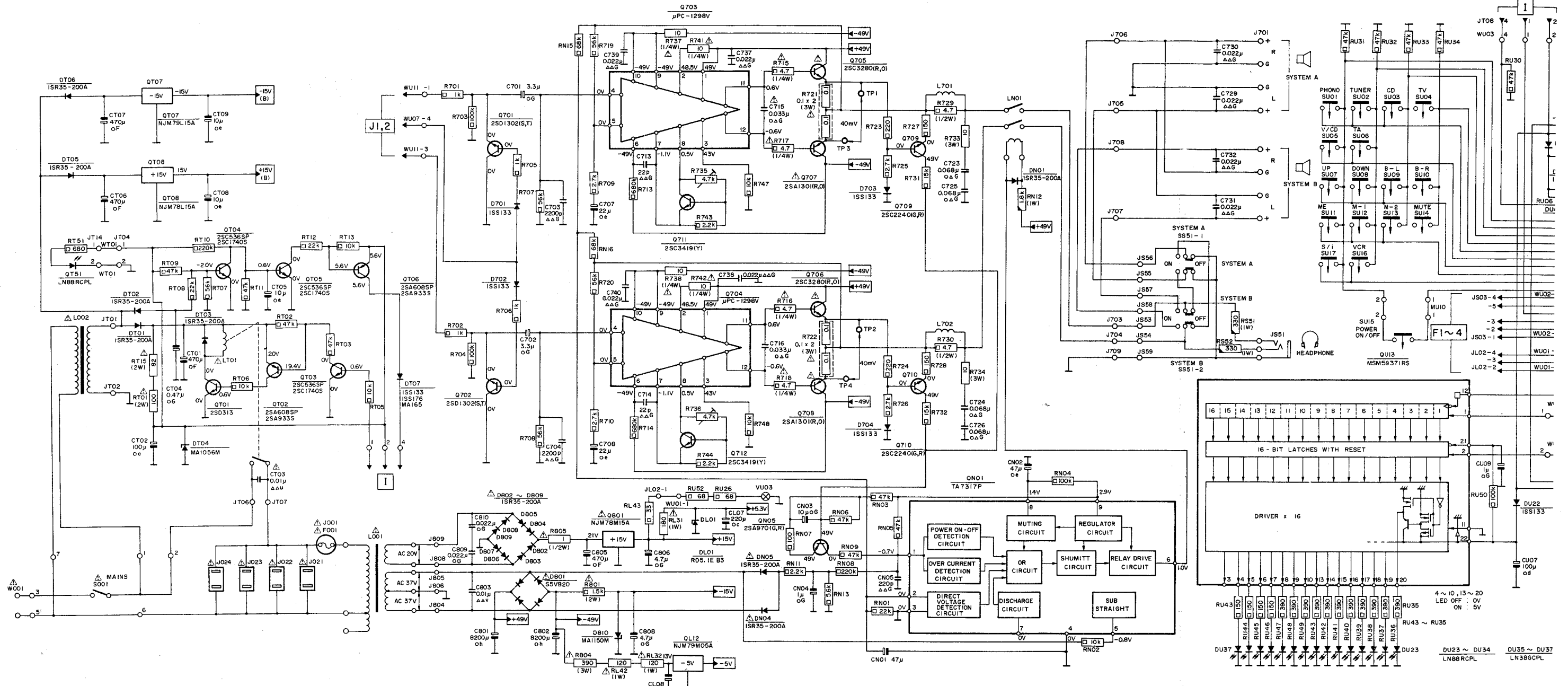
NOTE:
Some withstand voltages of the condensers are shown in both numerical value and symbol on the circuit diagram. If withstand voltage shown in numerical value is different from that in symbol for a condenser, both are applicable.

Semiconductor Layout



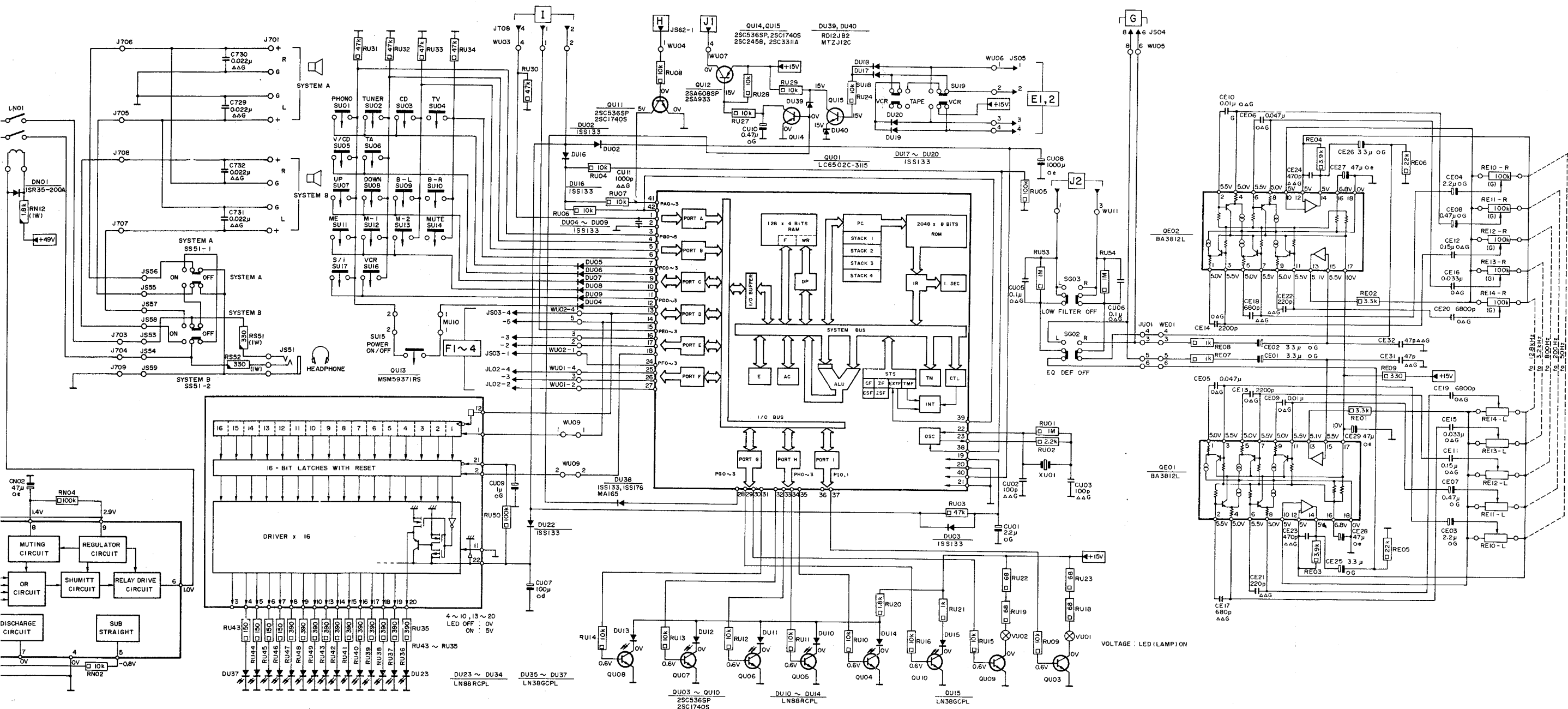
SCHEMATIC DIAGRAM

R	RT51	RT09	RT08	RT10	RT07	RT11	RT02	RT12	RT13	R701	R703	R705	R707	RN15	R719	R709	RN16	R713	R737	R741	R735	R743	R747	R715	R717	R721	R723	R725	R727	R731	R729	R733	RN12	RW92	RW91	RU31	RU32	RU33	RU34	RU30								
C	CT06	CT07	CT04	CT01	CT08	CT09	CT05		CT03	C809	C810	C803	C801	C702	C704	C802	C708	C805	C808	C714	C803	C807	C716	C803	C804	C801	C805	C724	C726	C802		C729	C732														CU09	CU07
Q - D - V	DT05	DT06	DT07	DT08	DT02	DT04	DT03	DT01	DT04	Q701	Q702	Q701	Q702	D802	D809	D801	D801	Q801	D810	Q812	VU03	Q703	Q704	Q712	Q711	DN04	DN05	Q805	Q705	Q710	D703	D704	Q801	DN01						Q13	DU23	DU34	DU35	DU37	DU22	DU04		
L - S - X	L002	S001			L001					WU11-1		WU11-3	WU07-4																				LN01	SS51-1	SS51-2										SU01	SU17		

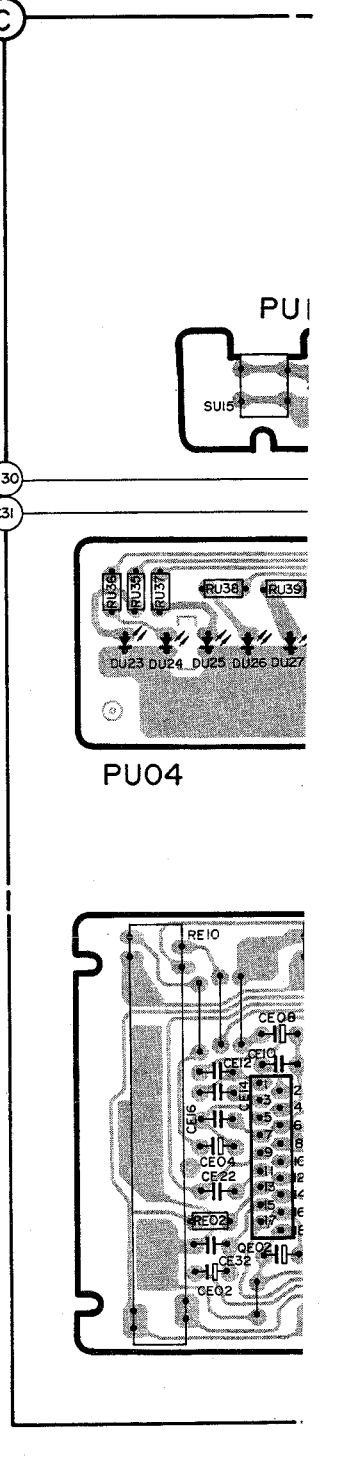
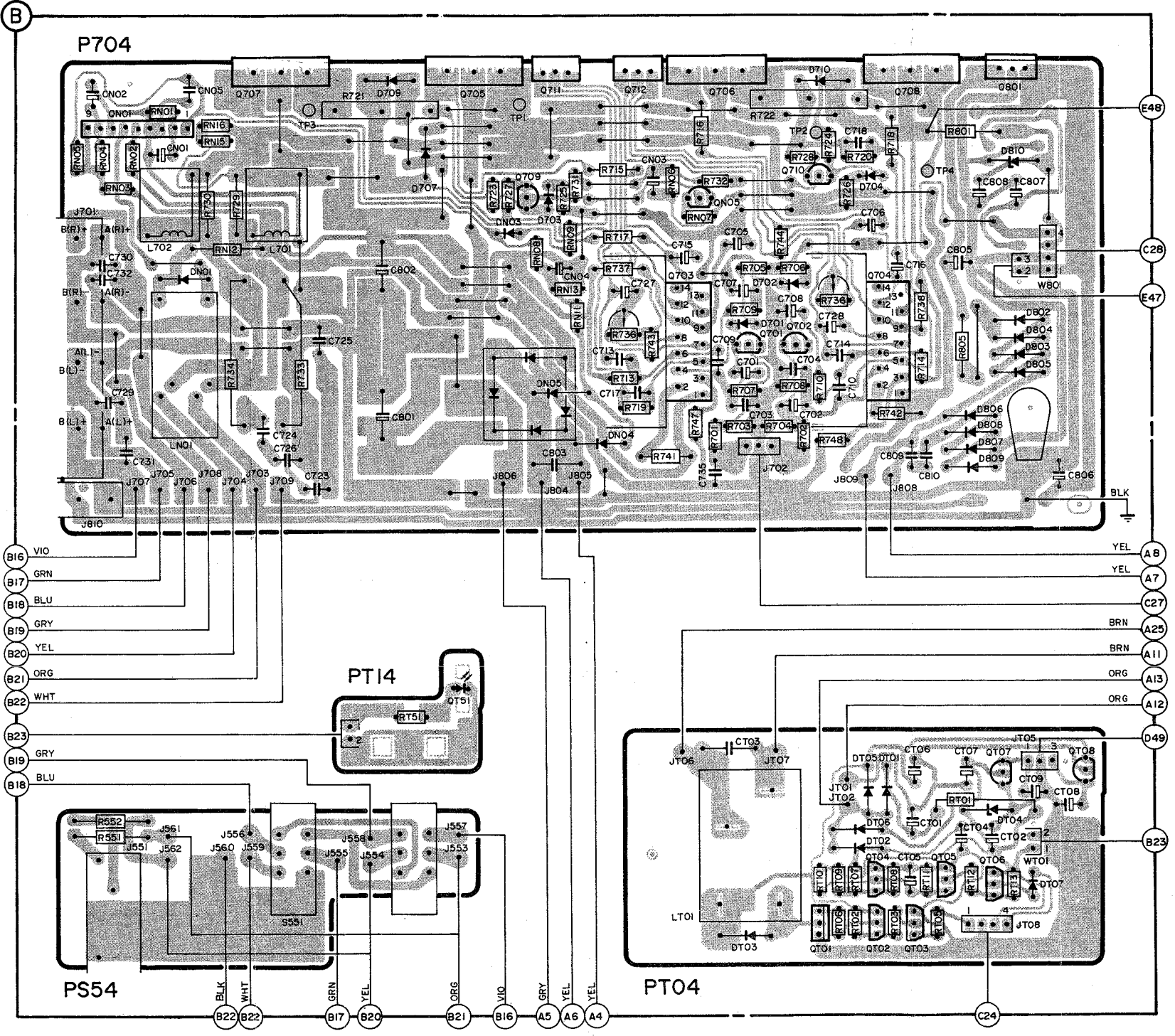
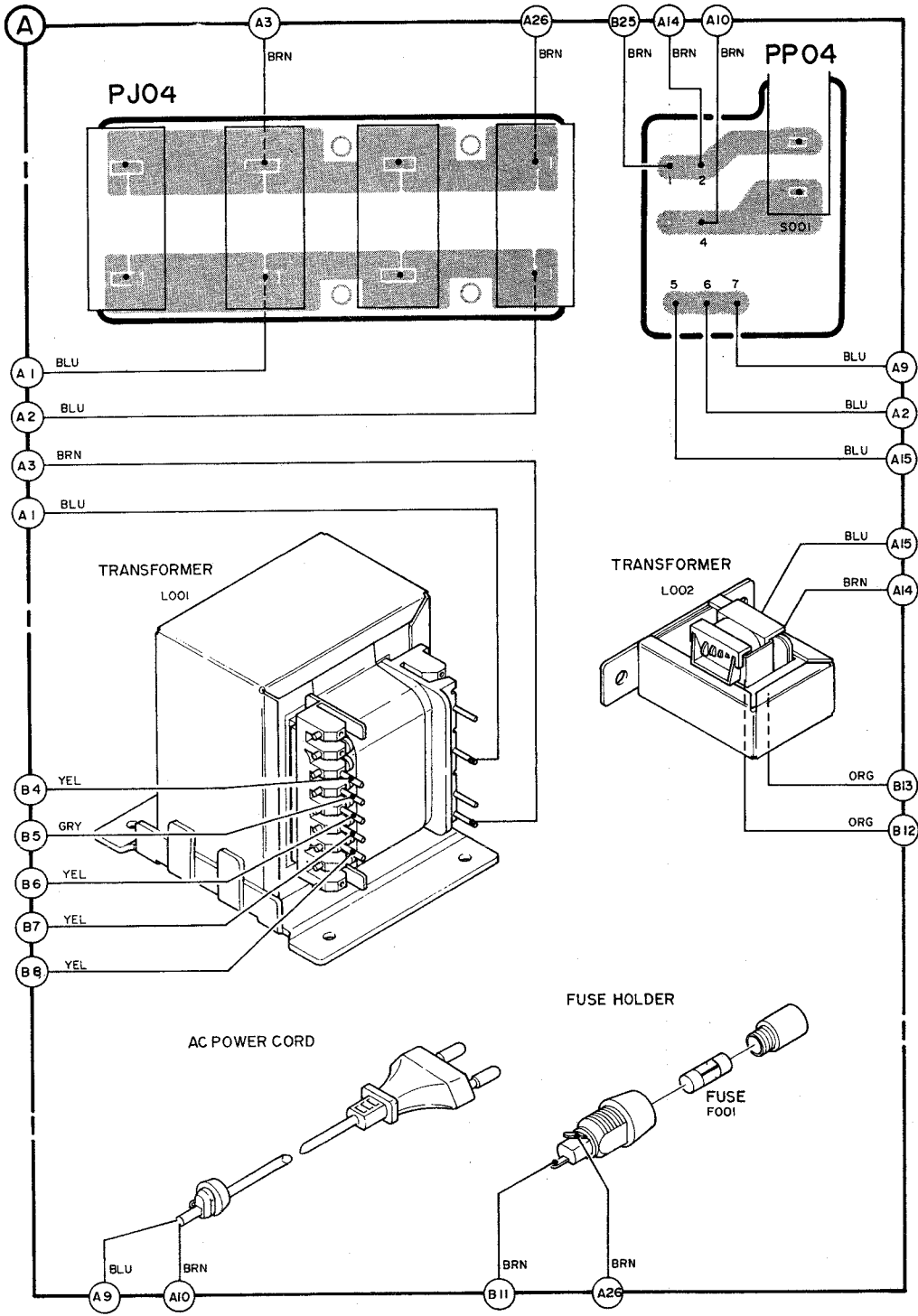


SCHEMATIC DIAGRAM

27 R731 R729 R733	RN12	RW92 RW91	RU31 RU32 RU33 RU34	RU30	RU06 RU04 RU07 RU08	RU27 RU28 RU29	RU24	RU05 RU53	RU54	RE04	RE06	RE10 ~ RE14	R	
724 R726 R728 R732 R730 R734	RN04 RN02	RU35 ~ RU43	RU50 RU51	RU14	RU13	RU12	RU11	RU10 RU20 RU16	RU21 RU15 RU19	RU03 RU09 RU18	RU01 RU02 RU22 RU23	RE07 RE08	RE03 RE02 RE01 RE09 RE05	C
C723 C725	CN02	C729 ~ C732	CU09 CU07	DU22 DU04 ~ DU09	DU38 DU16 DU02	QU11	DU10 ~ DU14	QU12 QU03 ~ QU10	QU01 QU04 DU39 DU40	QU05 DU17 ~ DU20	DU03 DU15	CE10 CE14 CE06 CE18 CE02 CE22 CE24	CE27 CE26 CE32	CE04 CE08 CE12 CE16 CE20
C724 C726	QN01 DN01	QU13 DU23 ~ DU34	DU35 ~ DU37	DU22 DU04 ~ DU09	DU38 DU16 DU02	QU11	DU10 ~ DU14	QU12 QU03 ~ QU10	QU01 QU04 DU39 DU40	QU05 DU17 ~ DU20	DU03 DU15	CE05 CE17 CE13 CE21 CE01 CE09 CE23	CE25 CE28 CE29 CE31	CE19 CE15 CE11 CE07 CE03
LN01	SS51-1 SS51-2	SU01 ~ SU17										QE02 QE01		Q-D-V
														L-S-X

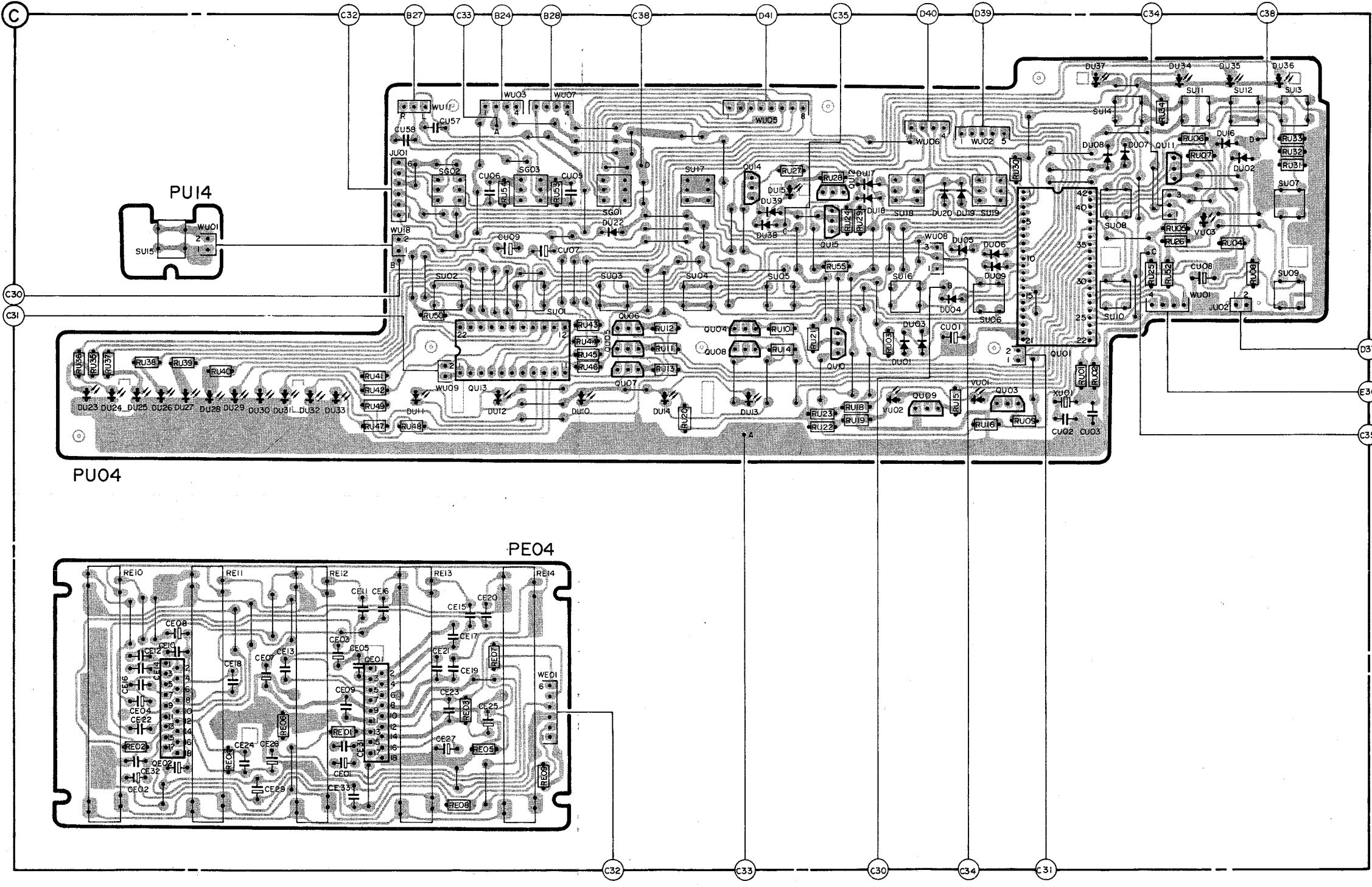
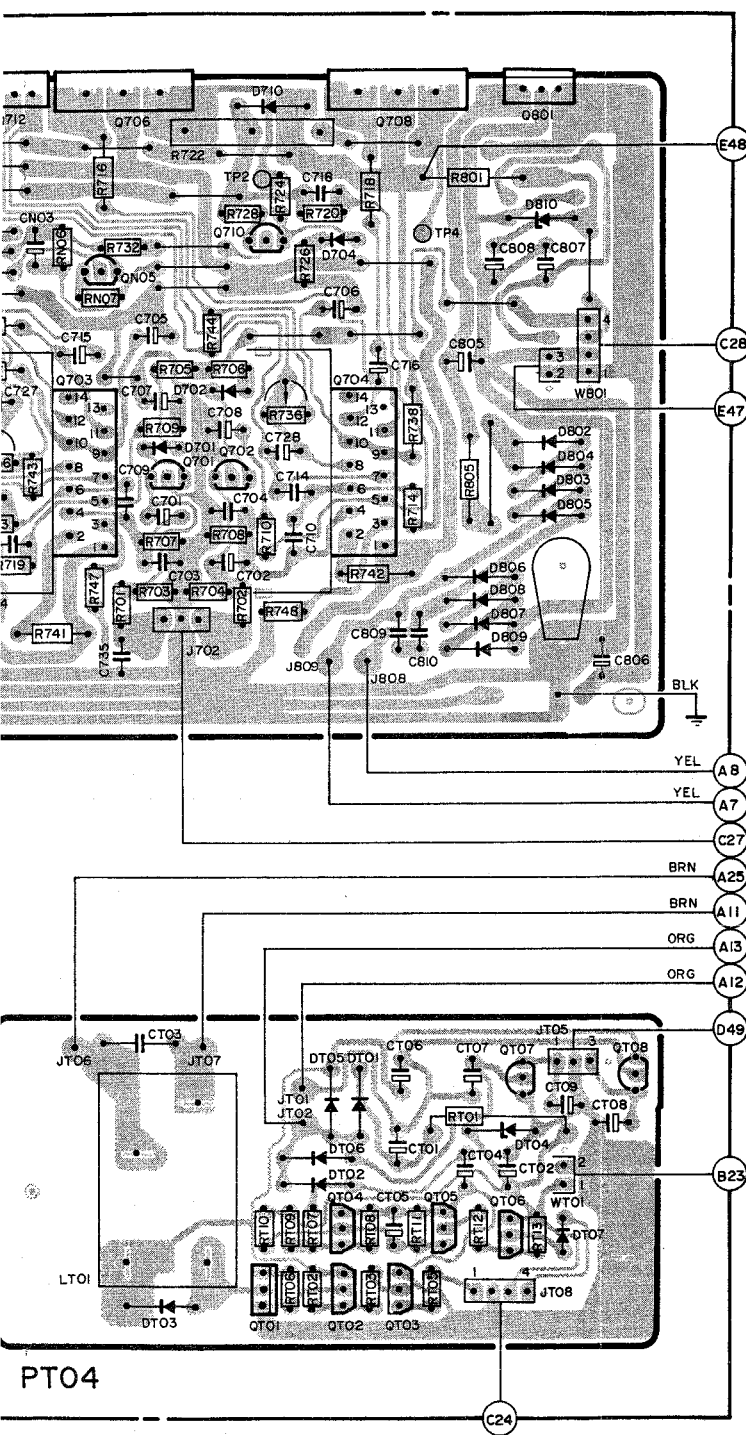


R - X		RNO1~RNO5	RN16 RN15	R721	R723 R727	R725 R731	R715~R719	RNO6 RNO7 R732 R722 R728 R724 R726 R801 R738 R714 R805	RU35~RU40
C		R552 R551	R730 RN12 R729 R734 R733	RT51			RNO8 RN13 RN11 RNO9 R737 R736 R713 R743 R741 R747 R701~R710 R736 R748 R701~RT13	RE10~RE14 RU01~RE09	
Q - D		CNO2	CNO1 CNO5	C723~C726	C802 C801	C803 CNO4	C727 CNO3	C701~C710 C714 C718 C706	CE01~CE05
L - F - S - T	L001								DU23~DU33 OE02
		ONO1	DN01	Q707	D709 D707	Q705 Q711 DN03 DN05 Q709 D703 Q711 Q712 Q706 Q701~Q704	Q701~Q708 DT01~DT07 DT01 DT02 DT10 DT04 QT07 QT08 DB02~DB10	SU15	
			L702	L701 S551		TP1	LT01 TP2	TP4	

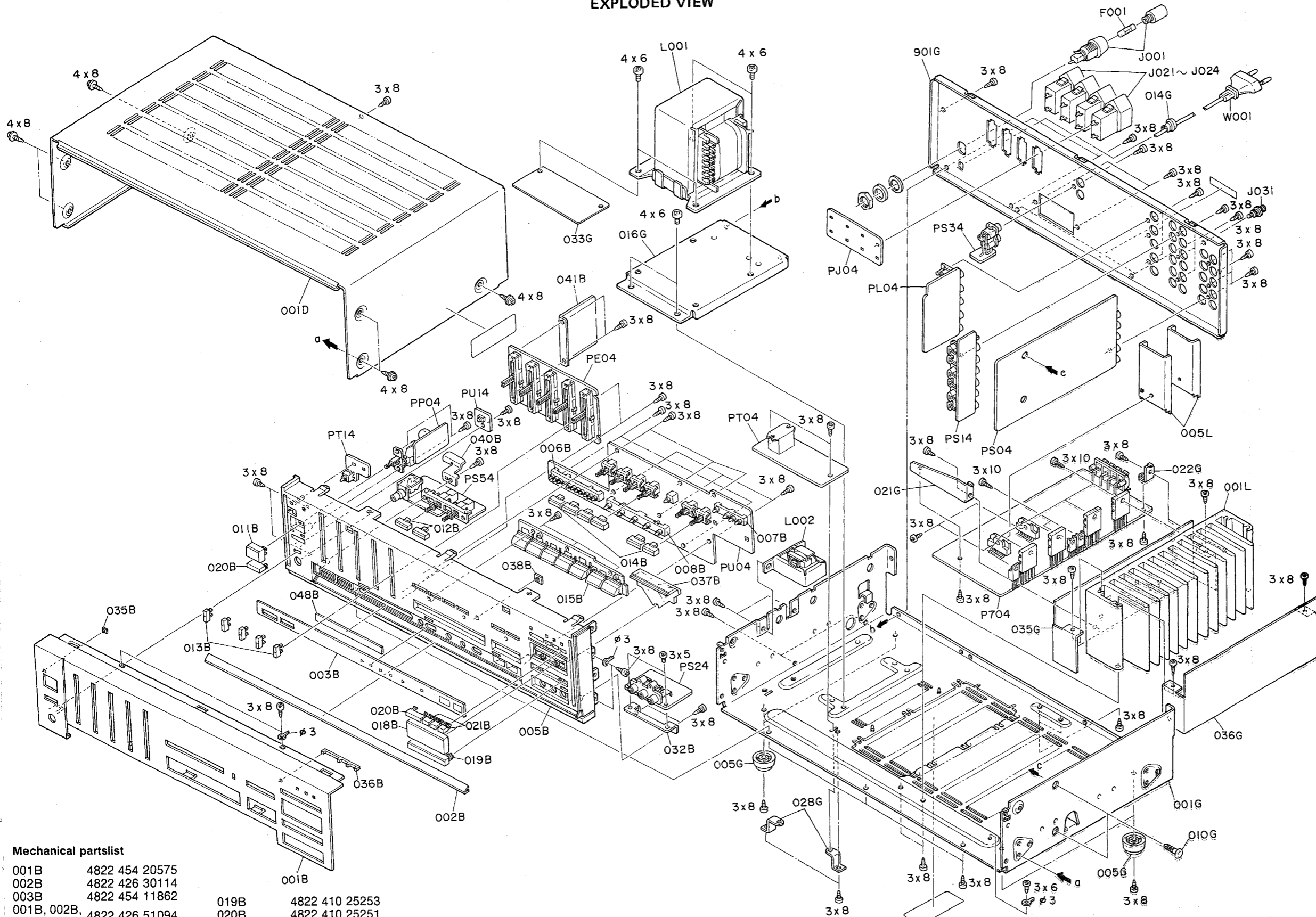


WIRING DIAGRAM

715~R719	RN06 RN07 R732 R722 R728 R724 R726 R801 R738 R714 R805	RU35~RU40	RU41 RU42 RU47~RU50	RU54 RU53	RU18~RU23	RU27~RU29	RU24	RU03	RU30	XU01	RU34	RU04~RU08 RU31~RU33
37 R736 R713 R743 R741 R747 R701~R710 R736 R748 R701~R713		RE10~RE14	RU01~RE09	RU43~RU46	RU10~RU14	RU55		RU15 RU16 RU09			RU01 RU02 RU25 RU52	
JN03	C701~C710 C714 C718 C706			CU58 CU57	CU06 CU05			CU01~CU03				
C717	C715 C735 C728 C701~C710 C716	CE01~CE05 CE07~CE27 CE29~CE33		CU09 CU07								CU08
712 Q706 Q701~Q704	Q701~Q708 DT01~DT07 DT01 DT02 DT07 DT04 QT07 QT08 DB02~DB10	DU23~DU33 QE02		QE01 DU10~DU14 QUI3		DU22 QU04~QU08	QUI4 QUI2 QUI5	DU15 DU39 DU38	QU10 DU17 DU18 DU01 DU03 DU20 DU19 QU09 QU03	DU04~DU06 DU31~DU37	DU08 QU01 DU07 QUI1 DU06 DU02	
	LT01 TP2 TP4	SUI5		SG01~SG03 SU01~SU06		SUI6~SUI9		VU03	VU01		SUI1~SUI4	SU07~SU10 VU03



EXPLODED VIEW



Mechanical partslist

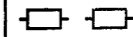
001B	4822 454 20575	019B	4822 410 25253
002B	4822 426 30114	020B	4822 410 25251
003B	4822 454 11862	021B	4822 410 25252
001B, 002B,	4822 426 51094	035B	4822 381 10845
003B		036B	4822 381 10804
006B	4822 256 91011	037B	4822 381 10805
007B	4822 256 91012	038B	4822 381 10806
008B	4822 256 91013	048B	4822 459 40577
009B	4822 256 91014	002D	4822 502 12501
011B	4822 410 25074	005G	4822 462 40971
012B-014B	4822 410 25075		
013B	4822 412 20973		
015B	4822 410 25084		
018B	4822 410 25146		

Note: only the mentioned parts are normal service parts

Electrical Partslist



CE01, CE02	Elect. cap.	3.3 µF	50 V	4822 124 21982
CE25, CE26				
CE03, CE04	Elect. cap.	2.2 µF	50 V	4822 124 41243
C401				
CE27, CE28	Elect. cap.	47 µF	16 V	4822 124 41246
CE29				
CL02, CL05	Cer. cap.	2 pF	50 V	4822 122 40298
CT03	Cer. cap.	10 nF	400 V	4822 122 40305
CU07	Elect. cap.	100 µF	10 V	4822 124 41242
CU08	Elect. cap.	1000 µF	16 V	4822 124 22013
CU09	Elect. cap.	1 µF	50 V	4822 124 21736
C713, C714	Cer. cap.	18 pF	50 V	4822 122 40517
C801, C802	Elect. cap.	8200 µF	63 V	4822 124 41296
C803	Cer. cap.	10 nF	500 V	4822 122 30043



RE10, RE11	Var. res.	100 k		4822 105 10841
RE12				
RE13, RE14				
RL31	Res.	180 Ω	1 W	4822 116 60342
RL32, RL42	Res.	120 Ω	1 W	4822 116 60334
RT01	Res.	100 Ω	2 W	4822 116 60328
RT15	Res.	82 Ω	2 W	4822 116 60269
R721, R722	Res.	2x 0.1 Ω	3 W	4822 111 90966
R736	Var res.	4.7 k		4822 100 20524
R737, R738	Fuse res.	10 Ω	1/4 W	4822 116 60314
R741, R742				
R801	Res.	1.5 k Ω	2 W	4822 116 60339
R804	Res.	390 Ω	3 W	4822 116 60479
R805	Fuse res.	1 Ω	1/2 W	4822 116 60306

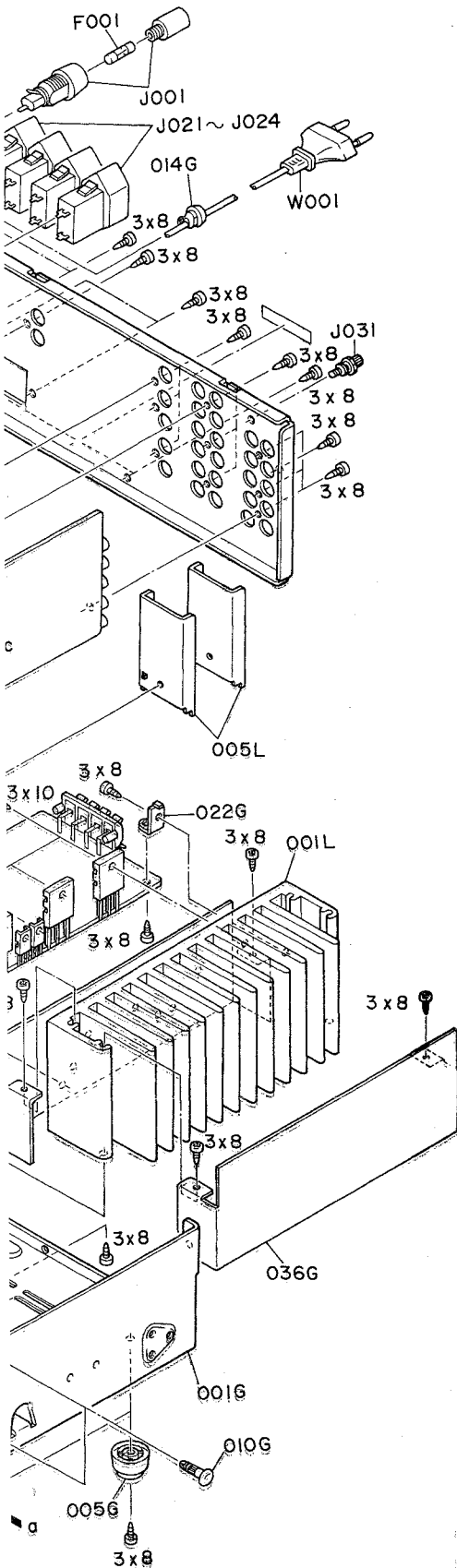


DL01	RD5.1E	4822 130 33415
DL02	MA1051M	4822 130 33383
DL03, DL04		
DT07		
DU02-DU09	ISS133	4822 130 33305
DU16-DU20		
DU22, D438		
D701-D704		
DN01, DN04		
DN05, C713		
DT02, DT03	ISR 35-200A	4822 130 32816
DT05, DT06		
D802, D809		
DT04	RD5.6E B2	4822 130 31623
DU10-DU14		
DU23-DU34	LN88RCPL.MP	4822 130 33761
DU37, QT51		
DU15, DU35	LN38GCPL.MP	4822 130 33752
DU36		
DU39, DU40	RD12 JB2	4822 130 80091
DB01	S 5 V B20	4822 130 30984
DB10	MA1150M	4822 130 32654

Miscellaneous

F001	Fuse T 1.6A	4822 253 30024
JL01	Jack video in/out	4822 266 30277
JS01, JS21	Jack phono/CD/tape	4822 265 30397
JS02	Jack tuner/TV	4822 265 30457
JS22, JS23	Jack TV/sound	4822 267 30493
JS51	Jack headphone	4822 267 30596
JS61	Jack remote control	4822 266 30232

Electrical Partslist



- -				Miscellaneous			
CE01, CE02 CE25, CE26 CE03, CE04 C401	Elect. cap.	3,3 μF 2,2 μF	50 V 50 V	4822 124 21982 4822 124 41243	IV01	Jack video/audio in	4822 266 30289
CE27, CE28 CE29	Elect. cap.	47 μF	16 V	4822 124 41246	JO01	Fuse holder	4822 256 30233
CL02, CL05 CT03	Cer. cap.	2 pF 10 nF	50 V 400 V	4822 122 40298 4822 122 40305	JO21-IO24	AC conn.	4822 267 30597
CU07 CU08	Elect. cap.	100 μF 1000 μF	10 V 16 V	4822 124 41242 4822 124 22013	J031	Ground terminal	4822 267 40505
CU09 C713, C714 C801, C802 C803	Elect. cap.	1 μF 18 pF 8200 μF 10 nF	50 V 50 V 63 V 500 V	4822 124 21736 4822 122 40517 4822 124 41296 4822 122 30043	J701	Speaker terminal	4822 267 50424
RE10, RE11 RE12 RE13, RE14	Var. res.	100 k		4822 105 10841	LN01	Relay output	4822 280 20193
RL31 RL32, RL42	Res.	180 Ω 120 Ω	1 W 1 W	4822 116 60342 4822 116 60334	LT01	Relay mains conn.	4822 280 70219
RT01 RT15	Res.	100 Ω 82 Ω	2 W 2 W	4822 116 60328 4822 116 60269	L001	Mains transformer	4822 146 21181
R721, R722 R736	Res. Var res.	2x 0,1 Ω 4,7 k	3 W	4822 111 90966 4822 100 20524	L002	Mains transformer	4822 146 21215
R737, R738 R741, R742	Fuse res.	10 Ω	1/4 W	4822 116 60314	L701, L702	Choke coil 1UH	4822 157 51739
R801 R804 R805	Res. Res. Fuse res.	1,5 k Ω 390 Ω 1 Ω	2 W 3 W 1/2 W	4822 116 60339 4822 116 60479 4822 116 60306	VU01-VU03	Lamp 8 V 50 mA	4822 134 40751
DL01 DL02 DL03, DL04 DT07	RD5.1E MA1051M			4822 130 33415 4822 130 33383	XU01	Cer filter	4822 242 71218
DU02-DU09 DU16-DU20 DU22, D438 D701-D704	ISS133			4822 130 33305	QE01, QE02	BA3812L equal.	4822 209 83338
DN01, DN04 DN05, C713 DT02, DT03 DT05, DT06 D802, D809	ISR 35-200A			4822 130 32816	OG01	TC9176P	4822 209 83785
DT04 DU10-DU14 DU23-DU34 DU37, QT51	RD5.6E B2			4822 130 31623	OG02	NJM4558D-D	4822 209 83631
DU15, DU35 DU36 DU39, DU40 D801 D810	LN88RCPL.MP LN38GCPL.MP RD12 JB2 S 5 V B20 MA1150M			4822 130 33761 4822 130 33752 4822 130 80091 4822 130 30984 4822 130 32654	QL01	LC4066BH	4822 209 81801
SG01-SG03 SP01 SS01 SS51 SU01-SU06 SU16-SU17 SU07-SU14 SU17 S001	Miscellaneous				QL12	NJM79L05	4822 209 71041
F001	Fuse T 1,6A			4822 253 30024	QN01	TA7317P	4822 209 83312
JL01	Jack video in/out			4822 266 30277	QS01	TC9163N	4822 209 83784
JS01, JS21	Jack phono/CD/tape			4822 265 30397	QS02-QS04	LC4966	4822 209 83804
JS02	Jack tuner/TV			4822 265 30457	QS05	NJM4558DD	4822 209 83631
JS22, JS23	Jack TV/sound			4822 267 30493	QT07	NJM79L15L	4822 209 71039
JS51	Jack headphone			4822 267 30596	QT08	NJM78L15A	4822 209 71038
JS61	Jack remote control			4822 266 30232	QU01	LM6502C-3115	4822 209 70383
					QU13	MSM59371RS	4822 209 83594
					Q401	NJM2041DD	4822 209 81565
					Q703, Q704	UPC-1298V	4822 209 70382
					Q801	NJM78M15A	4822 209 82829
					QH01, QH02 QL03-QL08 QS02-QS04 QS06 QT03-QT05 QU01-QU11 QU14, QU15 QL02 QL09-QL11 QS07, QS08 QT02, QT06 QT51, QU12	C536SP A608SP	4822 130 42483 4822 130 42715
					QN05 QS09, QS10 QT01 Q701, Q702 Q705, Q706 Q707, Q708 Q709, Q710 Q711, Q712	2SA970 2SK30A 2SD313 2SD1302 S.T. 2SC3280 2SA1301 2SC2240 (GR) C3419Y	4822 130 42949 4822 130 42825 4822 130 43323 4822 130 42125 4822 130 60116 4822 130 60109 4822 130 43231 4822 130 60117